

Колело Blicke промишлено метално с каучуков бандаж 125 мм, 100 кг, VE 125/12R



Ташев-Галвинг
www.tashev-galving.com

Product Data Sheet



VE 125/12R-EL

EAN 4047526483159

ID 483156

Wheel with standard solid rubber tyres, with pressed steel rim, electrically conductive

Wheels:

Made of standard solid rubber, very high operational comfort, low-noise operation, very good floor preservation, PAH conform acc. to EU directive 2005/69/EC.

Tread/tyre: Made of standard solid rubber.

Tread colours black

Wheel centre/rim:

Pressed steel rim, zinc-plated, blue-passivated, Cr6-free.

Wheel centre colour: blue passivated

Variant: electrically conductive



Rolling resistance

■ ■ ■ ■ Satisfactory

Operating noise

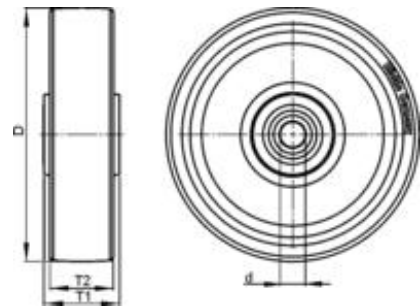
■ ■ ■ ■ Very good

Floor surface preservation

■ ■ ■ ■ Very good

Technical data

| | | |
|---|--|----------------|
| Wheel Ø | | 125 mm (D) |
| Wheel width | | 37,5 mm (T2) |
| Load capacity | | 100 kg |
| Axle bore Ø | | 12 mm (d) |
| Hub length | | 45 mm (T1) |
| unit weight | | 0,5 kg |
| Temperature resistance | | -25 ° C |
| Temperature resistance to tread and tyre hardness | | 80 ° C |
| Bearing type: | | Roller bearing |



Продукт: [Колело Blickle промишлено метално с каучуков бандаж 125 мм, 100 кг, VE 125/12R](#)

Категория: [Колела полипропиленови с каучуков бандаж](#)

Бранд: [Blickle](#)

Категория бранд: [Колело Blickle](#)